



TWO-PIECE CLOSED - COUPLE, ELONGATED BOWL,
12" ROUGH IN, GRAVITY FEED
ELONGATED TOILET WITH OVERFLOW PROTECTION

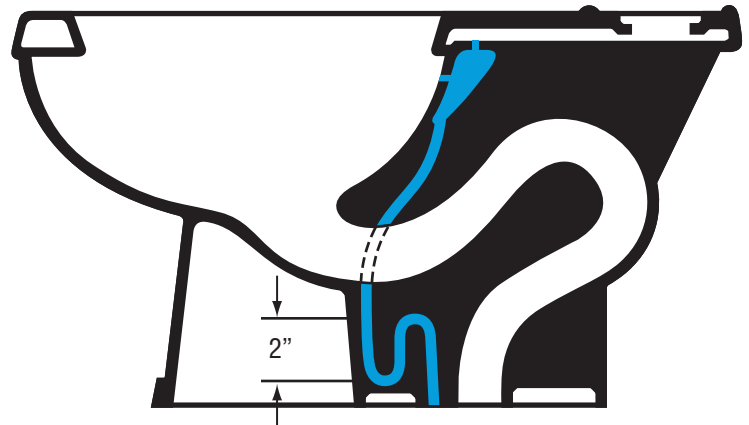
MODEL 011

FEATURES:

- Vitreous china
- Exclusive Penguin Protection: secondary drain system that helps protect against toilet overflows
- Drop in replacement for existing toilets with 12" rough-in
- New taller bowl design meets ADA codes with approved seat
- Gravity flushing system
- Elongated bowl
- Comes complete with Fluidmaster flushing system
- Left hand trip lever
- 2" Fully glazed trapway

APPLICABLE CODES & STANDARDS:

- ASME A112.19.2
- IGC 252-07
- CSA B45-02 (Supplement No. 1-2004)
- IAPMO/cUPC
- ADA Compliant



SIDE CUT-AWAY VIEW SHOWING SECONDARY TRAP HT.

PERFORMANCE FEATURE:

When a blockage in the primary trap occurs during flushing, the water rises in the bowl until it reaches the overflow holes. The water enters the holes and drains down through a secondary drain tube and trap into the sanitary main thus preventing an overflow. In the unlikely event that floating debris would plug the overflow intake holes, the water would continue to rise to the holes in the underside of the rim.

Water would enter the rim holes and then drain through an internal hole into the secondary drain tube and again into the sanitary main.

INCLUDED COMPONENTS:

Toilet bowl / Base • Tank • Flush assembly - (Fluidmaster series 400)
Mounting hardware • Tank gasket and bolts • Flush handle

INSTALLATION NOTICE:

Please follow manufacture instructions provided with the Model 011 toilet. Toilet should be installed by a professional or one skilled in such installations. Flush valve assembly comes complete with its own instructions.

Care and cleaning instructions are included with installation instruction.
Recommended water pressure to toilet fill valve is 40 PSIG.
Please follow rough in dimensions (see Figure A and B) for new installations.

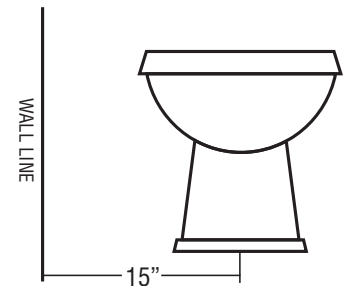


Figure A

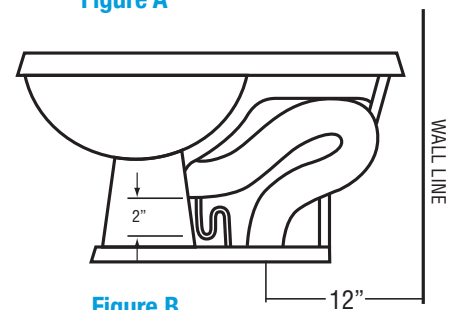


Figure B

143 Cady Centre, Suite 336, Northville, MI 48167
www.penguintoilets.com

PENGUIN PROTECTION TECHNOLOGY



U.S. AND INTERNATIONAL PATENTS PENDING