



INSTALLATION INSTRUCTIONS, CARE AND MAINTENANCE

PENGUIN MODEL 011 TOILET, ELONGATED BOWL featuring the "No Overflow" system

Thank you for selecting Penguin. To ensure this product is installed properly, please read these instructions carefully before you begin. (Certain installations may require professional help.) Also be sure your installation conforms to local codes.

CAUTION: PRODUCT IS FRAGILE, TO AVOID BREAKAGE AND POSSIBLE INJURY HANDLE WITH CARE!

NOTE: Pictures may not exactly define contour of china and components.

RECOMMENDED TOOLS AND MATERIALS

- | | | |
|-------------------|----------------------|-------------------|
| Putty Knife | Regular Screwdriver | Adjustable Wrench |
| Sealant | Tape Measure | Hacksaw |
| Wax Ring/Gasket | Flexible Supply Tube | Closet Bolts |
| Carpenter's Level | | |

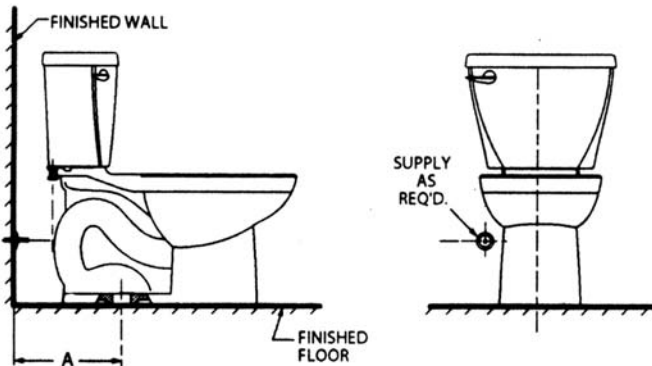
1) REMOVE OLD TOILET

- Close toilet supply valve and flush tank completely. Towel or sponge remaining water from tank and bowl.
- Disconnect and remove supply line. NOTE: If replacing valve, first shut off main water supply!
- Remove old mounting hardware, remove toilet and plug floor waste opening to prevent escaping sewer gases.
- Remove closet bolts from flange and clean away old wax, putty, etc. from base area.

NOTE: Mounting surface must be clean and level before new toilet is installed!

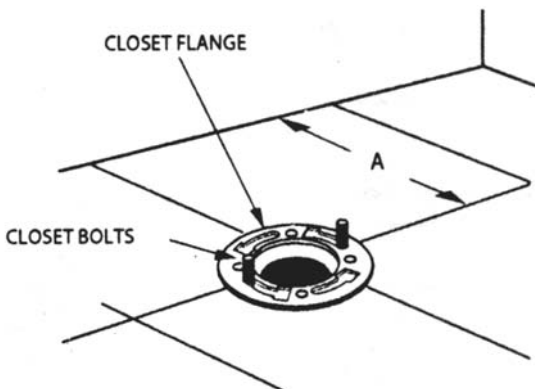
2) ROUGHING-IN DIMENSIONS

NOTE: Distance from wall to closet flange centerline:
A = 12" (305 mm)



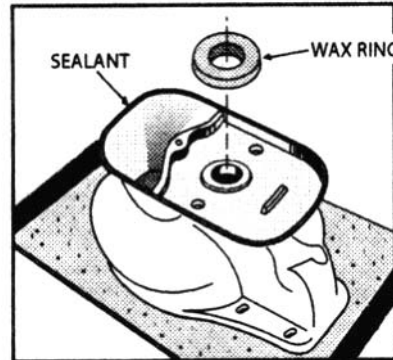
3) INSTALL CLOSET BOLTS

Install closet bolts in flange channel, turn 90°, and slide into place 6" (152 mm) apart and parallel to wall.



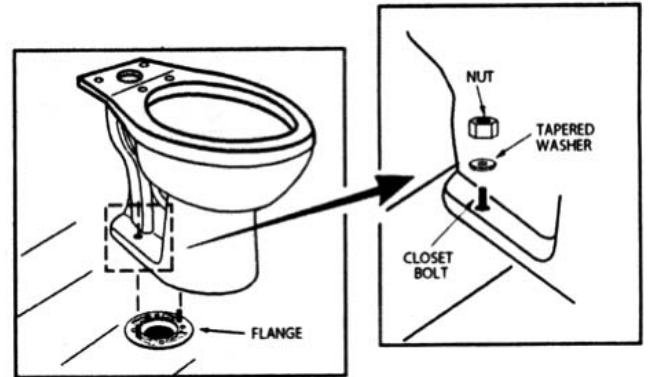
4) INSTALL WAX SEAL

Invert toilet on floor (cushion to prevent damage), and install wax ring evenly around waste flange (horn), with tapered end of ring facing toilet. Apply a thin bead of sealant around toilet base.



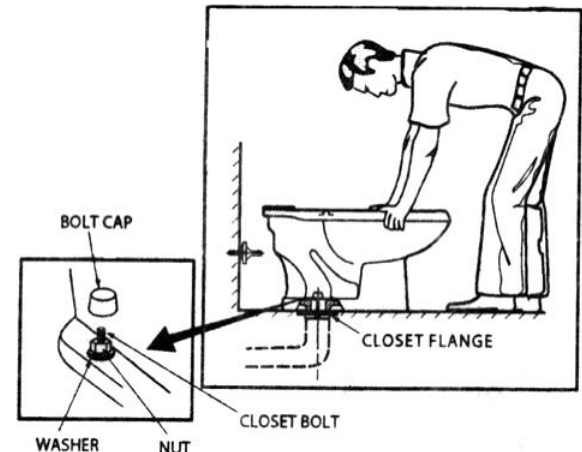
5) POSITION TOILET ON FLANGE

- Unplug floor waste opening and install toilet on closet flange so bolts project through mounting holes.
- Loosely install retainer washers and nuts. Side of washers marked "THIS SIDE UP" must face up!

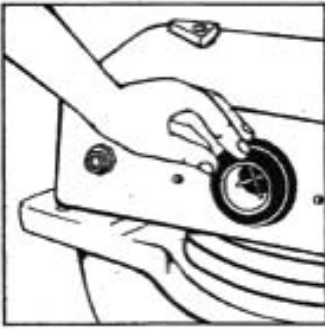


6) INSTALL TOILET

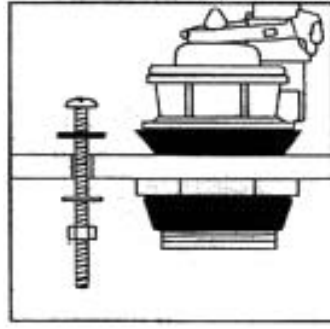
- Position toilet squarely to wall and, with a rocking motion, press bowl down fully on wax ring and flange. Alternately tighten nuts until toilet is firmly seated on floor. **CAUTION: DO NOT OVERTIGHTEN NUTS OR BASE MAY BE DAMAGED!**
- Install caps on washers. (If necessary, cut bolt height to size before installing caps.)
- Smooth off the bead of sealant around base. Remove excess sealant.



7) INSTALL TANK



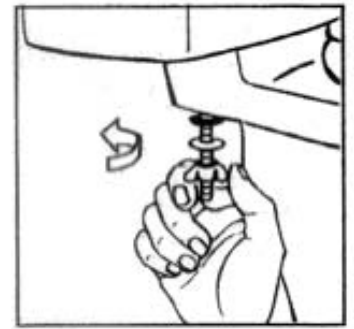
a. Slide new sponge rubber gasket (small side down) onto threaded end of flush valve.



b. Install 2 bolts as follows: Slide rubber washer under bolt head and insert bolt through tank. Install brass washer, then thread hex nut onto bolt. Carefully tighten bolt until snug. **DO NOT OVERTIGHTEN** or tank may crack.



c. Place tank back on bowl so that sponge gasket fits evenly. Level tank and bowl.



d. Install rubber washer, brass washer, and wing nut onto bolt. Repeat for the other side. Tighten nuts evenly. **DO NOT OVERTIGHTEN** or tank may crack.

8) INSTALL TOILET SEAT

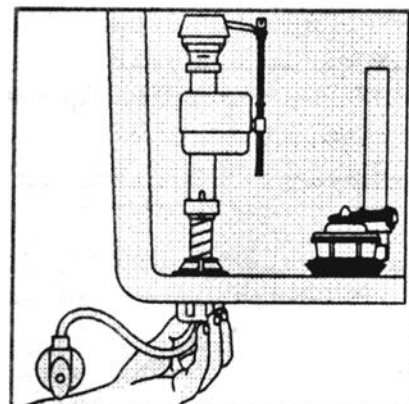
a. Install toilet seat in accordance with manufacturer's directions.

9) CONNECT WATER SUPPLY

a. Before continuing, determine the type of water supply connection you have from the chart below and use the appropriate assembly parts required to properly re-connect the water supply. **DO NOT** use plumber's putty to seal these fittings.

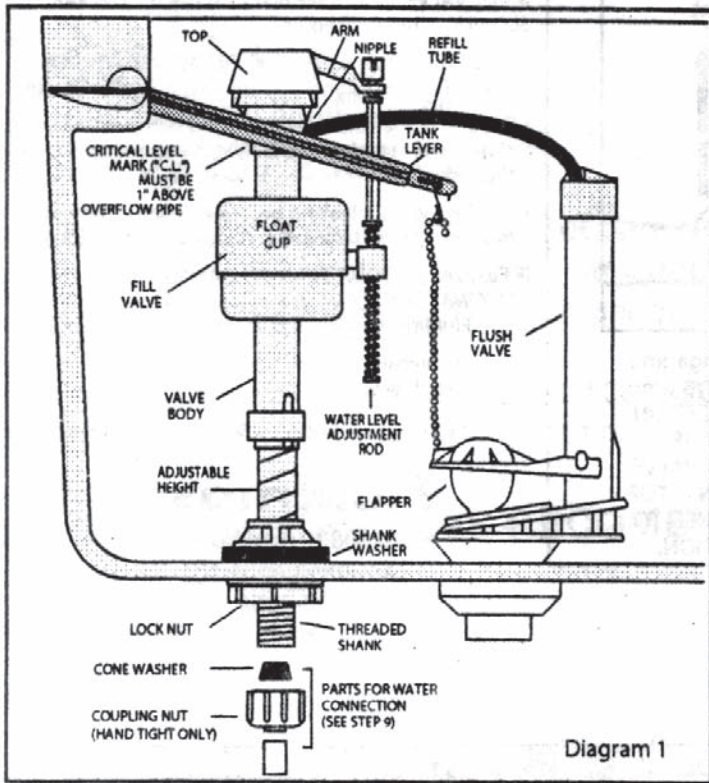
METAL / COPPER FLARED TUBING	METAL FLANGED TUBING	METAL SPIRAL TUBING	VINYL / BRAIDED CONNECTOR
<p>METAL/COPPER FLARED TUBING These parts must be used as illustrated to insure a water-tight connection. Use of existing coupling nut may result in water leakage. Water supply tube or pipe must extend at least 1/2" inside threaded shank of valve (does not apply to flanged tubing).</p>	<p>METAL FLANGED TUBING Use existing coupling nut and washer.</p>	<p>METAL SPIRAL TUBING Use existing spiral cone washer. Fluidmaster cone washer may not seal completely on spiral type supply line.</p>	<p>VINYL/BRAIDED CONNECTOR Captive cone washers already included. No additional washers needed.</p>

b. With correct washers in place (See previous step), tighten **COUPLING NUT** 1/4 turn beyond hand tight. **DO NOT OVERTIGHTEN.**



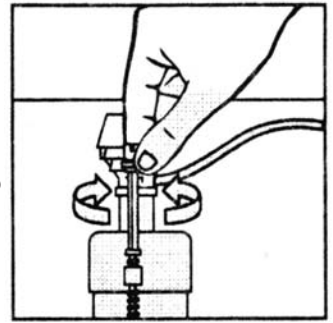
10) ADJUSTMENTS

- Adjust water level. Water level should be adjusted to level indicated on tank by adjusting the float cup. See Step 11 for water level adjustment method.
- If bowl fails to siphon, an adjustment may be required with the lift chain. Simply remove the bead chain from the retainer clip, take up slack on the chain and re-insert on lift rod. Make sure the chain is not too taut.



11) ADJUST WATER LEVEL

- Turn on water supply. Submerge the **FLOAT CUP** under the water for 30 seconds. Adjust the water to desired level by turning **WATER LEVEL ADJUSTMENT ROD** and moving **FLOAT CUP** up or down.
- Once water level is correct with marking in tank, flush toilet 3 times to prime toilet and “No Overflow” system. After prime has been established toilet traps are self-priming from this point on. No further priming is required. Use toilet for normal use.



12) CARE AND CLEANING

- When cleaning your toilet, wash it with mild, soapy water, rinse thoroughly with clear water and dry with a soft cloth. Avoid detergents, disinfectants, or cleaning products in aerosol cans. NEVER use abrasive scouring powders or abrasive pads on your toilet seat. Some bathroom chemicals and cosmetics may damage the seat's finish.
- This toilet has a “No Overflow” feature that requires little or no maintenance. There are 3 holes inside the back of the bowl. If the toilet ever gets plugged in the main trap, water in the bowl will exit through these holes. During every flush a small amount of water fills a reservoir that prevents sewer gas from coming up through these holes. If the toilet hasn't been flushed for an extended period (vacation) this water may get stale and smell. Simply flush the toilet to bring fresh water into the reservoir.

WARNING: Do not use in-tank cleaners. Products containing chlorine (calcium hypochlorite) can seriously damage fittings in the tank. This damage can cause leakage and property damage. Penguin shall not be responsible or liable for any tank fitting damage caused by the use of cleaners containing chlorine (calcium hypochlorite).

13) TROUBLESHOOTING

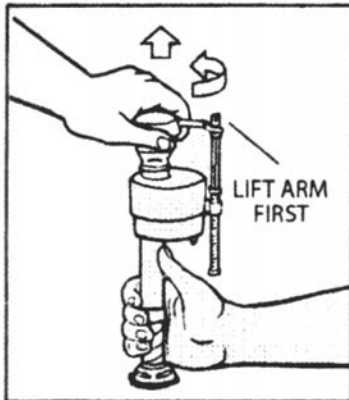


DIAGRAM 1: IMPORTANT: Always clear sand and rust from system. Make sure water supply is off. Remove valve TOP by lifting arm and rotating top and arm 1/8 turn counter-clockwise, pressing down slightly on cap.



DIAGRAM 2: While holding a container over the uncapped VALVE to prevent splashing, turn water supply on and off a few times. Leave water supply off.

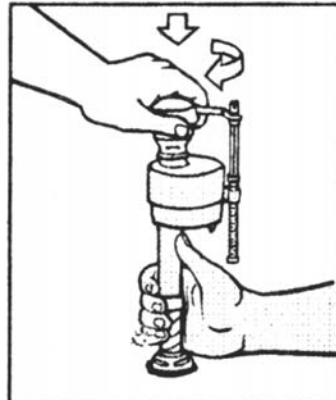


DIAGRAM 3: Replace TOP by engaging lugs and rotating 1/8 turn clockwise. MAKE CERTAIN TIP IS TURNED TO THE LOCKED POSITION. VALVE MAY NOT TURN ON IF TOP IS NOT FULLY TURNED TO THE LOCKED POSITION.

IF FILL VALVE SHUTS OFF BUT CONTINUES TO LEAK SLOWLY:: Repeat Step 13.

IF FILL VALVE TURNS OFF AND ON DURING PERIODS OF NON-USE: It is a signal you are wasting water because:

- The end of the refill tube is inserted into overflow pipe, below water level in tank. Attach refill tube to overflow pipe using “S” clip provided.
- The flush valve is leaking because it's worn, dirty or misaligned with tank ball or flapper (replace with a new flapper).

IF FILL VALVE WON'T TURN ON OR SHUT OFF or REFILL OF TANK WATER IS SLOW (After valve has been in use for some time). Fluidmaster Model 242 Replacement Seal may be needed.



TROUBLESHOOTING GUIDE		
PROBLEM	POSSIBLE CAUSE	CORRECTIVE ACTION
Does not flush	<ul style="list-style-type: none"> a. Water supply valve closed. b. Supply line blocked. c. Flush valve chain too loose or disconnected. d. Sand or debris lodged in water control. 	<ul style="list-style-type: none"> a. Open valve and allow water to fill tank. b. Shut off water supply, disconnect supply line and inspect all gaskets and washers. Reassemble. Also, see Fluidmaster maintenance. (see Step 13) c. Readjust chain length as required. d. Shut off water supply. Remove cap and clean as per Step 13.
Poor or sluggish flush	<ul style="list-style-type: none"> a. Bowl water level too low. b. Supply valve partly closed. c. Partially clogged trapway and/or drain pipe and/or vent. d. Supply pressure too low. 	<ul style="list-style-type: none"> a. Check that refill tube is connected to water control and inserted into tank overflow without being kinked or damaged. b. Open supply valve fully. Be sure that proper supply tube size is used. c. Remove obstruction. Consult a plumber if necessary. d. Normal supply pressure must be at least 20 psi.
Toilet leaks	<ul style="list-style-type: none"> a. Poor supply line connection. b. Poor bowl to tank/floor connection. 	<ul style="list-style-type: none"> a. Review Step 9 of installation procedure. b. Review Step 4 through 7 of installation procedure.
Toilet does not shut off	<ul style="list-style-type: none"> a. Flush valve chain too tight, holding flush valve open. b. Flush valve seat and/or flapper worn or deformed. c. Sand or debris lodged in water control. 	<ul style="list-style-type: none"> a. Readjust chain length as needed. Review Step 10. b. Shut off water supply. Replace flush valve. c. Shut off water supply. Remove cap and clean per Step 13.

REPAIR PARTS	
PART #	DESCRIPTION
400A	ANTI-SIPHON FILL VALVE
507ABS	FLUSH VALVE
6101	TANK BOLTS
6100	TANK TO BOWL GASKET
686	FLUSH LEVER
8.5"	REFILL TUBE
MODEL 011	TANK COVER (WHITE)
MODEL 011	TANK (WHITE)
MODEL 011	TOILET BOWL, ELONGATED (WHITE)

Go to our website at www.fluidmaster.com for more solutions to toilet problems.

For troubleshooting information please contact:
 Fluidmaster, Inc.
 30800 Rancho Viejo Road
 San Juan Capistrano, CA 92675
 (949) 728-2000 (800) 631-2011

GUARANTEE: This Fluidmaster product is guaranteed to be free from defective materials and workmanship for a period of one year. Units returned to Fluidmaster will be replaced without charge. Always use quality Fluidmaster repair parts when maintaining your Fluidmaster products. Fluidmaster shall not be responsible or liable for any damages cause by products used with Fluidmaster valves that were not manufactured by Fluidmaster, Inc.

